

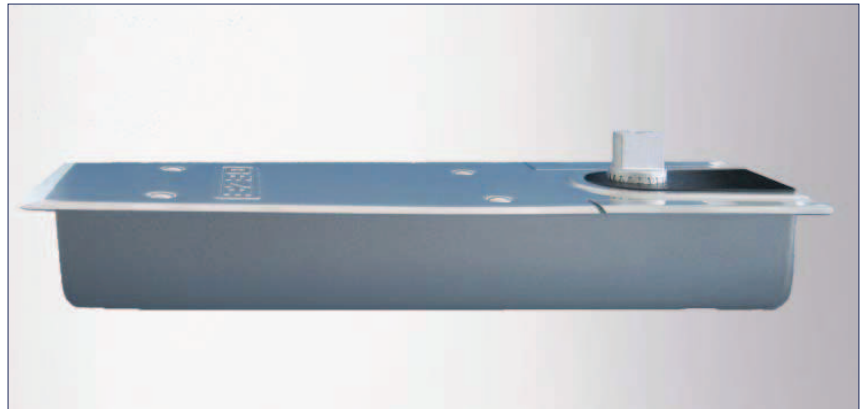
# GEZE TS 500 N / TS 550 N / TS 550 AND VARIATIONS

## GEZE TS 500 NV / TS 500 N EN3

Floor springs for 1-leaf single and double action doors up to 1100 mm leaf width

### Product features

- Overall height 42 mm
- Closing force adjustable size 1-4 according to EN1154 (TS 500 NV)  
Closing force size 3 according to EN 1154 (TS 500 N EN3)
- Back check
- Closing speed adjustable
- Latching action adjustable (TS 500 NV)
- Safety valve preventing deliberate overloading
- Closing range from approx. 170°
- Large adjustment range:  
height 6 mm, lateral 10 mm,  
length 10 mm
- Galvanised cement box



### Application range TS 500 NV

- For right and left hand closing single-action doors
- For internal double-action doors
- For leaf width up to 1100 mm
- For leaf weights up to 150 kg

### Application range TS 500 N EN3

- For internal right and left closing single-action doors
- For internal double-action doors
- For leaf width up to 950 mm
- For leaf weights up to 100 kg

### Standard version/Scope of delivery

Floor spring complete with flat-tapered spindle, cement box and installation instructions. Without hold-open mechanism (cover plate not included).

### Special versions

- With hold-open mechanism 85°, 90°, 105° and 120°
- With extended spindle up to 50 mm (5 mm selection)

### Cover plates

Various cover plates with screw accessories are available for GEZE floor springs. Cover plates can be used for both right and left hand closing single-action doors and for double-action doors.

### Pivot lever/Guide rail

For the installation of a floor spring for a single-action door a special pivot lever and door rail with a pivot point of 36 mm is required.

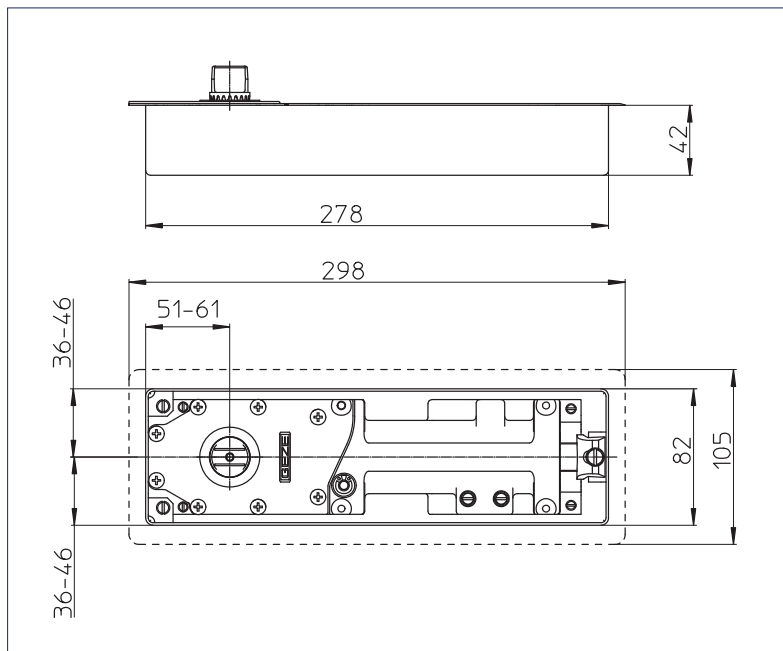


Fig. 04-1 · GEZE Floor spring TS 500 NV (same dimensions for GEZE TS 500 N EN3)

